

FM MODULATION FOR KEYLESS ENTRY SYSTEM**FEATURES**

- Compact Size FM Demodulation
- RF-Input Impedance : 50Ω Unbalance at Loop ANT
- Received Frequency : 447.600~447.850 MHz at Standard Channel
- Operation Voltage : 5V ($T_a=25^\circ\text{C}$)

MAXIMUM RATING ($T_a=25^\circ\text{C}$)

CHARACTERISTIC	SYMBOL	RATING	UNIT
Supply Voltage	V_{CC}	5	V
Storage Temperature Range		-30~80	$^\circ\text{C}$
Operating Temperature Range	T_{opr}	-20~70	$^\circ\text{C}$

ELECTRICAL CHARACTERISTICS ($T_a=25^\circ\text{C}$)(Unless Otherwise Specified : $V_{CC}=5\text{V}$, $f_i=447.725\text{MHz}$)

CHARACTERISTIC	TEST CONDITION	MIN.	TYP.	MAX.	UNIT
Current Consumption	Quiescent Mode	-	1	1.3	mA
	Active Mode	-	15.0	15.4	
Sensing Limit Point		-107	-104	-	dBm
Sinad Sensitivity	Audio Freq : 1kHz FMdev : 4kHz Power Level : -100dBm	12	20	-	dB
Radiation		-	-57	-50	dBm

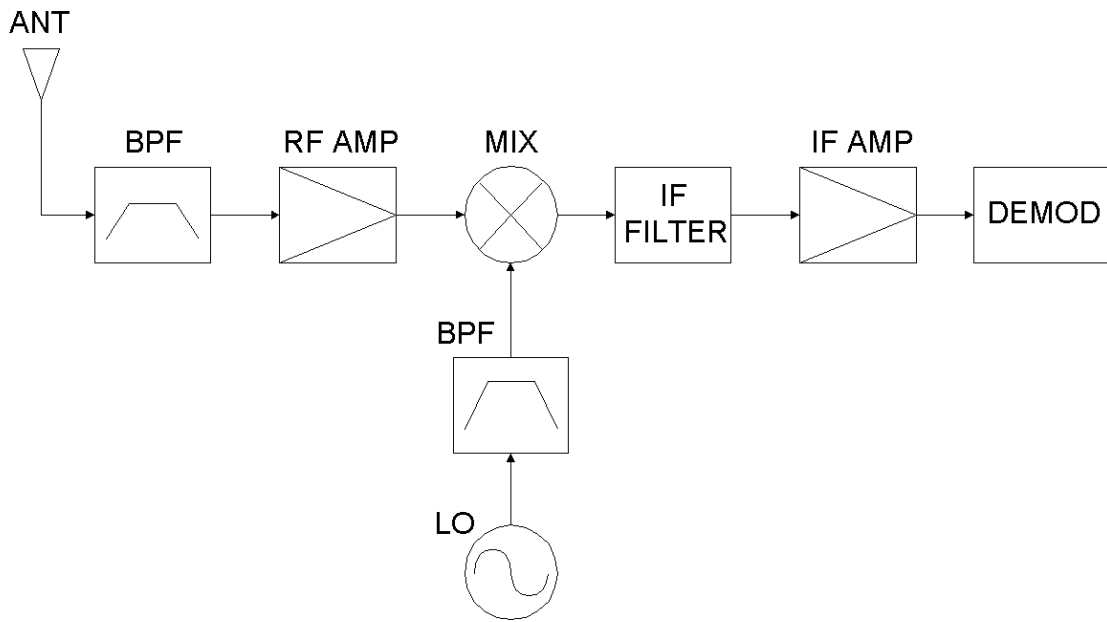
KCM201R

STANDARD TESTING CONDITION

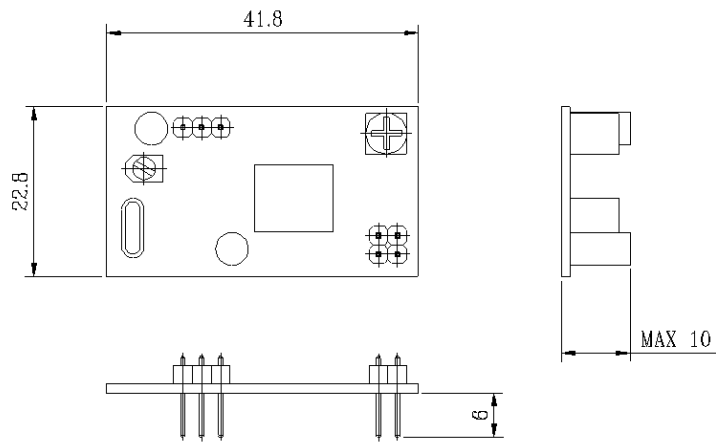
No.	ITEM	DESCRIPTION	SPECIFICATION
1	TEMPERATURE TEST	Temperature test cycle is 20℃→40℃→60℃→20℃→0℃→-20℃→0℃→20℃ this is one temperature test cycle and repeat this cycle two times. Each degree of the temperature is held for 30 minutes. It must be satisfied electrical performance.	Output frequency : 10kHz and Watt : ±10%
2	HUMIDITY TEST	After application to the tuner with 90~95% relative humidity at a temperature of 30℃±2℃ for four hours and then allowing the tuner to stabilize at natural condition for two hours. It must be satisfied electrical performance.	Output frequency : 10kHz and Watt : ±10%
3	TEMPERATURE SHOCK TEST	After application to the tuner at varying the temperature degree form 70±2℃ to -30±2℃ for each four hours, and then allowing the tuner to stabilize at natural condition for two hours. It must be satisfied electrical performance and should not have any mechanical failure.	Output frequency : 10kHz and Watt : ±10%
4	VIBRATION TEST	Amplitude 2mm with constant oscillation degree 500~2000 rpm, cycle of oscillation is twenty minutes, testing the tuner in each direction of top and bottom, right and left, front and rear for each two hours. It must be satisfied electrical performance.	Output frequency : 10kHz and Watt : ±10%
5	DROP TEST	Unit shall satisfy items in the left without any mechanical failure when it's and dropped onto a plank from 50cm height of 6 times (once per each faces of the package)	Output frequency : 10kHz and Watt : ±10%

KCM201R

Block Diagram



Dimansion



TERMINALS

1. VCC
2. DATA OUT
3. G N D
4. G N D
5. G N D
6. A N T
7. A N T

* TOLERANCE : ± 0.5